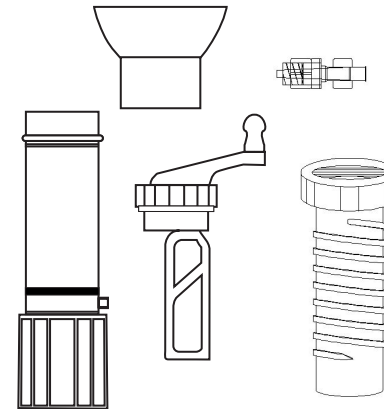


IZI Medical Products
MiniMix CMM1



EC REP

ILUMARK GmbH
Hohenlindner Str. 11c
85622 Feldkirchen
GERMANY

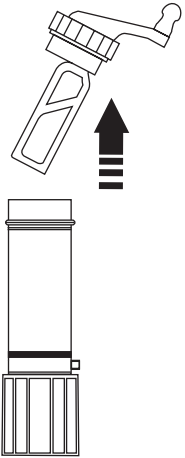
STERILE EO



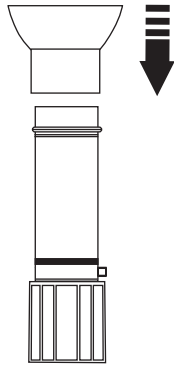
IZI Medical Products
5 Easter Court, Suite J
Owings Mills, MD, 21117 USA
Tel: (800) 231-1499
Tel: 410 594 9403
www.izimed.com



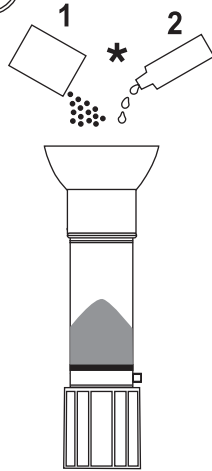
1



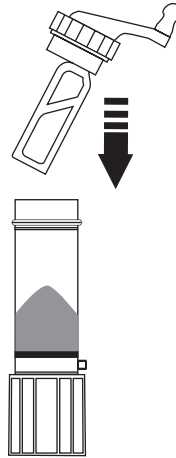
2



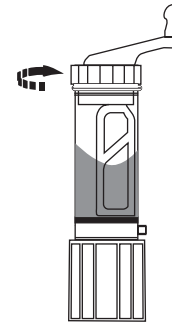
3



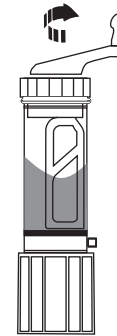
4



5



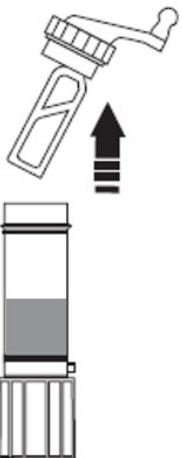
6



535 mm Hg
21.06" Hg
10.35 psi

565mm Hg
22.24" Hg
10.93 psi

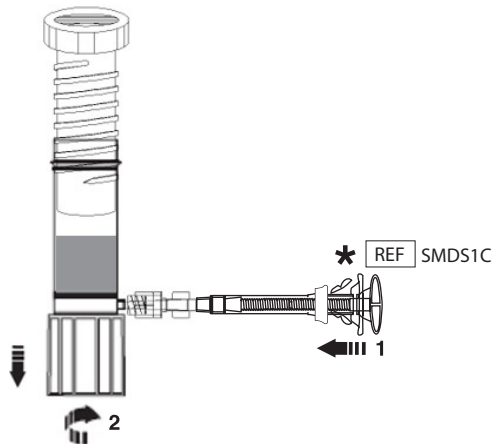
7



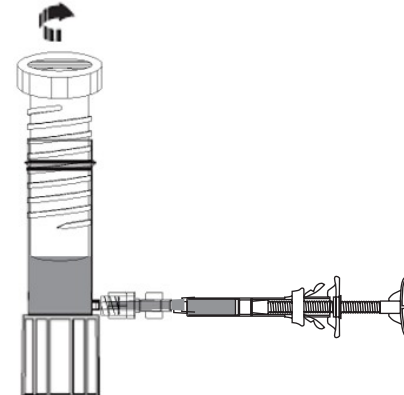
8



9



10



11

