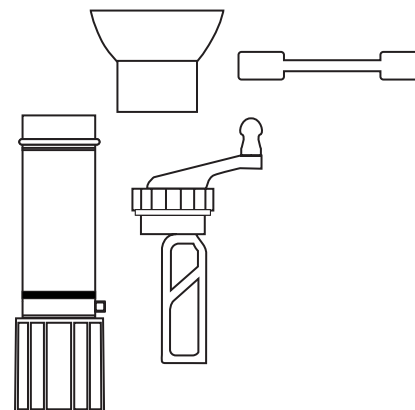


REF G37374

IZI Medical Products

MiniMix CMM4



EC **REP**

ILUMARK GmbH
Hohenlindner Str. 11c
85622 Feldkirchen
GERMANY

STERILE **EO**



IZI Medical Products
5 Easter Court, Suite J
Owings Mills, MD, 21117 USA
Tel: (800) 231-1499
Tel: 410 594 9403
www.izimed.com

01317-001 REV 00A

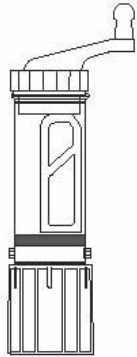


Fig. 1

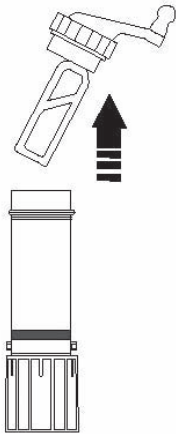


Fig. 2

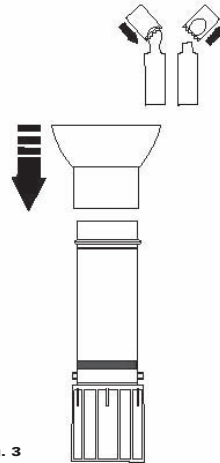


Fig. 3

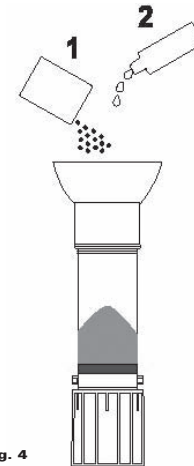


Fig. 4

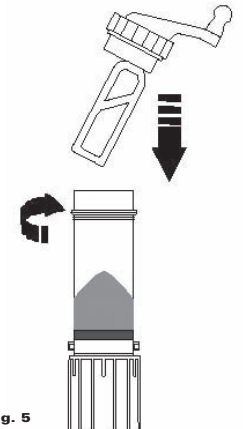


Fig. 5

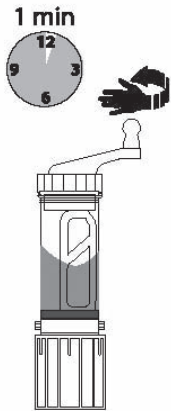


Fig. 6

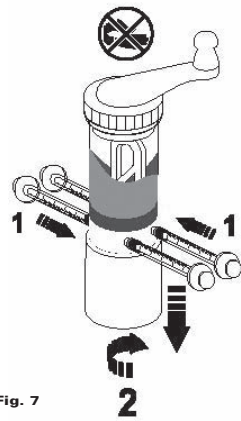


Fig. 7

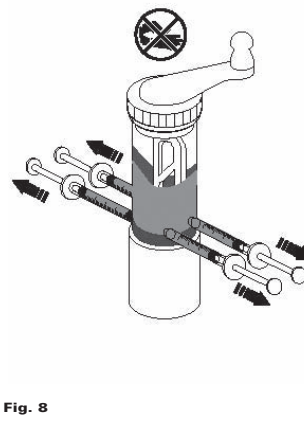


Fig. 8

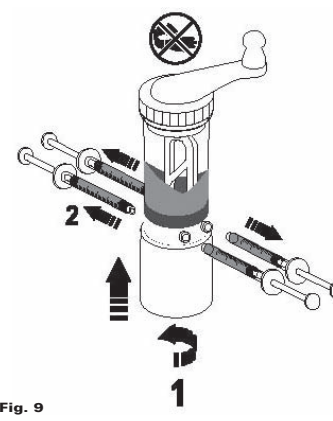


Fig. 9

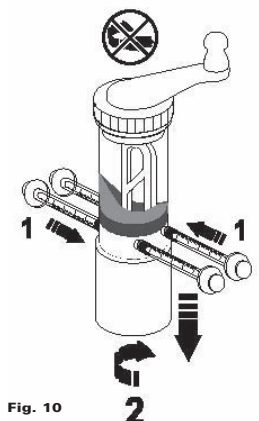


Fig. 10