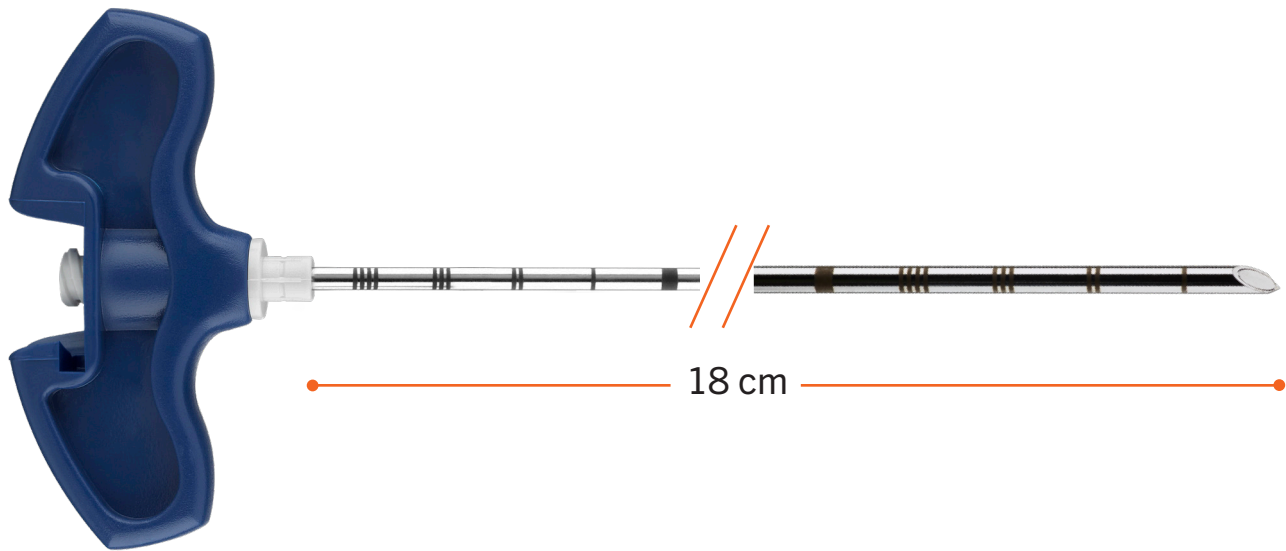




IZI Medical

## Osteo-Site® Murphy M1M™ - Side Bevel Special Size

The Osteo-Site® Murphy M1M Side Bevel is intended for vertebral body biopsy and infusion. The outer cannula of the needle is back-beveled to achieve improved purchase on the periosteum. Also, the side-bevel allows better direction of the needle to the desired location for more accurate results.



### Key Features and Benefits:

- Provides longer lateral access to the bone<sup>1</sup>
- Inner stylet and outer cannula are side beveled to match
- A blunt stainless steel obturator is included
- A 30 cm long radiolucent needle holder is included

### References:

1. Single-Needle Lateral Sacroplasty Technique; Nicholson, P.J., et al., Spine, February 2019.

SET ORDER NUMBER

OUTER CANNULA  
GAUGE • LENGTH

GLOBAL PRODUCT  
NUMBER

DBBN-11-18.0-M1M

11G • 18cm

G27000



izimed.com

