



Osteo-Site® Products / Cement Mixers

Minimix

Bone Cement Mixer - 4 Ports

Used for mixing bone cement of low, medium and high viscosity. Closed mixing and loading system enabling sealed transfer of bone cement into syringes.

- Funnel
- 3 end caps
- 2 plastic caps for breaking liquid polymer

Supplied sterile in peel-open packages. Intended for one-time use only.



FEATURES & BENEFITS

- Mixing paddle design combines powder and liquid components faster and more thoroughly
- Closed system mixer reduces exposure to cement fumes
- Small, compact design allows closed mixing while reducing storage space and waste concerns
- 4 port pressfit connectors

Simplify your cement mixing procedure and **reduce fumes** with this compact, **closed system**

ORDER INFORMATION

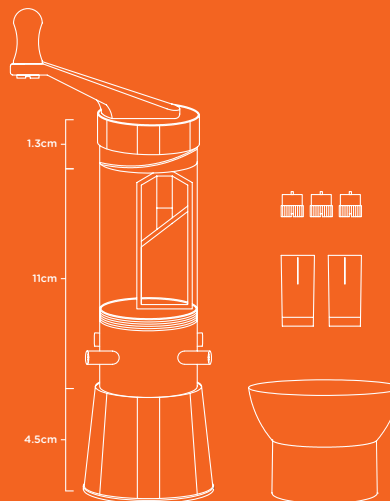
Minimix

SET ORDER NUMBER

GLOBAL PRODUCT NUMBER

CMM4

G37374



Not all parts numbers shown may be approved for sale in all regulatory jurisdictions. Parts and configurations are subject to change without notification. Please consult with your Account Representative for details.

Osteo-Site® Products / Cement Mixers

Minimix

Bone Cement Mixer - 1 Port

Used for mixing bone cement of low, medium and high viscosity. Closed mixing and loading system enabling sealed transfer of bone cement into syringes.



- Funnel
- 1 plunger
- 1 Rotating Luer lock adapter

Supplied sterile in peel-open packages. Intended for one-time use only.

FEATURES & BENEFITS

- Mixing paddle design combines powder and liquid components faster and more thoroughly
- Closed system mixer reduces exposure to cement fumes
- Small, compact design allows closed mixing while reducing storage space and waste concerns

Simplify your cement mixing procedure and **reduce fumes** with this compact, **closed system**

Threaded plunger provides **control** when moving cement from **mixer to syringe**

ORDER INFORMATION

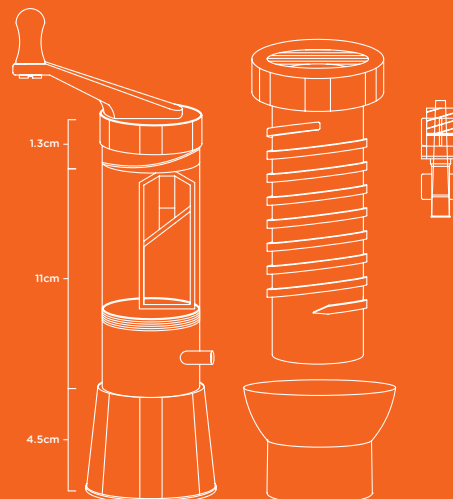
Minimix

SET ORDER
NUMBER

GLOBAL PRODUCT
NUMBER

CMM1

G90004



Not all parts numbers shown may be approved for sale in all regulatory jurisdictions. Parts and configurations are subject to change without notification. Please consult with your Account Representative for details.